

# Polycom® Vortex® EF2211

Single channel acoustic echo/noise canceller  
with phone add



## Benefits

**It's easy to add phone calls** – Includes atelephone hybrid with noise cancellation

**Use the phone almost anywhere** –

Through country-specific telephone configuration settings

**Power where you need it** – 10-Watt power amplifier for driving audio in the room

**Highest possible audio quality between sites** – Industry-leading acoustic echo and noise cancellation

**Links with other Vortex models** – Including EF2280, EF2241, EF2210, EF2201, plus other Polycom products

Easily add phone calls and improved acoustic echo cancellation to your rollout or installed conferencing applications.

Existing conferencing installations will benefit from improved audio clarity and reduced noise, resulting in more effective communication between sites.

Polycom's Vortex EF2211 improves the overall audio quality of existing conferencing installations, and can also be used as a standalone system for individual sites. The unit is typically utilized in meeting rooms, along with one or more microphones and an automatic microphone mixer. A telephone interface with ambient noise cancellation can dramatically improve the receive audio quality on phone calls, and the 10-Watt power amplifier drives small loudspeakers in the room.

Because the EF2211 delivers robust acoustic echo and noise cancellation performance, it is often used instead of the video conferencing codec's microphone and acoustic echo canceller. Industry-leading, acoustic echo cancellation technology prevents received audio from being retransmitted to its original location. Patented noise cancellation algorithms dramatically reduce ambient noise in the audio sent to other sites. User-adjustable, neural network Automatic Gain Control (ACG) reacts only to valid speech patterns, bringing voices within desired levels. The EF2211 may be programmed directly or through Polycom's Conference Composer software (included). The unit may also be controlled via external RS-232 devices.

## Make Great Things Happen with Vortex EF2211

In today's Internet driven world, the ability to conduct real time communication and collaboration has become critical to an organization's survival. As the market leader in voice, video, data and Web solutions, our award-winning conference technology makes it easy for people to interact and maximize productivity — over any network, in just about any environment, anywhere around the globe. That's why more organizations worldwide use and prefer Polycom conferencing solutions. Because when people work together, great things happen. See how you, too, can achieve great things with Polycom Vortex EF2211.



# Polycom Vortex EF2211 Specifications

## Dimensions

- 19" (483 mm) W x 9.6" (244 mm) L x 1.75" (45 mm) H (one rack unit)

## Weight

- 4 lbs. (1.8 kg) dry, 5.5 lbs. (2.5 kg) shipping

## Connectors

- RS-232: DB9F
- EF Bus In/Out: RJ45
- Telephone Line/Set: RJ11 (2)
- Control /Status: DB25F
- Audio: Mini (3.5mm) quick connect terminal blocks

## Power

- External supply (provided)
- Input voltage of 110-240 VAC; 47-63 Hz; power consumption 25 W

## Microphone Input

- -30 dBu to +0 dBu/ -66 dBu to -33 dBu, nominal; software selectable

## Phantom Power

- 24 V, software selectable

## Line Inputs

- -20 dBu to +0 dBu, nominal; software adjustable

## Line Outputs

- -20 dBu to +0 dBu, nominal; software adjustable

## Loudspeaker Output

- 10 W, 4-16 Ohms

## Input Impedance

- >10 k Ohms

## Output Impedance

- 50 Ohms (drives 600 Ohms)

## Headroom

- 20 dB, nominal

## Signal to Noise Ratio

- Line level, 0 dB gain: >85dB

## Frequency Response

- 20 Hz - 22 kHz

## Acoustic Echo Cancellation Span

- 270 ms

## Total Cancellation

- >65 dB

## Convergence Rate

- 40 dB/second

## Noise Cancellation

- 0-15 dB, software selectable

## Line Echo Canceller (telephone hybrid)

- Echo cancellation 40 dB, total >65 dB
- Convergence 30 dB/second; cancellation span 32 ms

## Operating Temperature

- 0° - 40 °C

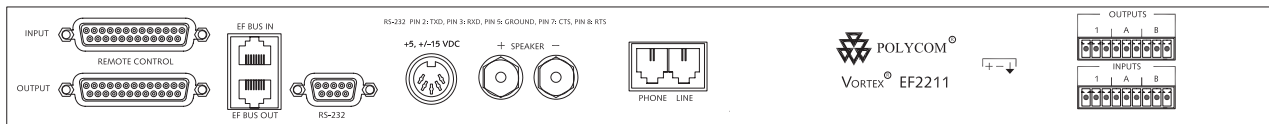
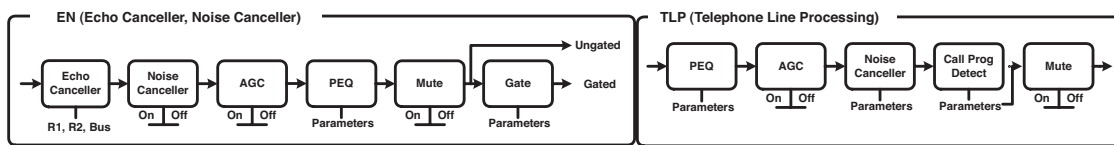
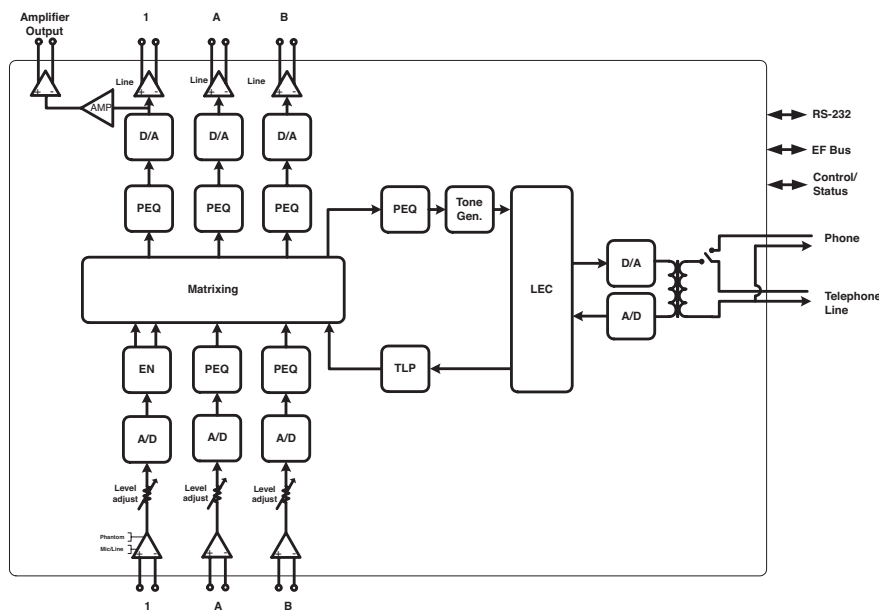
## Control Inputs

- Contact closure

## Status Outputs

- 5 V, 20 mA each

## System Block Diagram and Rear Panel



©2006 Polycom, Inc. All rights reserved.

Polycom, the Polycom logo and Vortex are registered trademarks of Polycom, Inc. in the U.S. and various countries. All other trademarks are the property of their respective owners. Information in this document is subject to change without notice.



www.polycom.com

### Polycom Headquarters:

4750 Willow Road, Pleasanton, CA 94588 (T) 1.800.POLYCOM (765.9266) for North America only. For North America, Latin America and Caribbean (T) +1.925.924.6000, (F) +1.925.924.6100

### Polycom EMEA:

270 Bath Road, Slough, Berkshire SL1 4DX, (T) +44 (0)1753 723000, (F) +44 (0)1753 723010

### Polycom Asia Pacific:

Polycom Hong Kong Ltd., Rm 1101 MassMutual Tower, 38 Gloucester Road, Wanchai, Hong Kong, (T) +852.2861.3113, (F)+852.2866.8028

Part No. 3726-82211-001 Rev. 03/06